



ENGINEERED COMMERCIAL
ROOF EDGE SYSTEMS



ARCHITECTURAL · COMMERCIAL · RESTORATION/CUSTOM

COPING AND PERIMETER ROOFING SYSTEMS

Selecting Your Perfect Perimeter Edge System



- A quality roof edge system will resist the pull of the roof material inwardly toward the center field of the roof.
- A quality roof edge system will resist the outward and upward forces which tend to blow or peel edge systems off a building.

Fact: Roof edge systems typically represent only about 1% of a building's overall cost. Yet, the importance of a properly designed roof edge system cannot be underestimated or ignored, as 60% of all roof warranty claims are attributed to metal edge failures.

What is an ES-1 Rated Roof Edge System?

It makes sense to specify and install only ES-1 Rated Roof Edge Systems.

ES-1 is a reference for those who design, specify, fabricate or install low slop roof edges. It's based upon the information in ASCE 7-02¹ Minimum Design Loads for Buildings and Other Structures. ANSI/SPRI ES-1 provides a calculation and test methods for determining wind uplift pressures on perimeter roof edge terminations - which means, your roof meets the highest quality standards.



ES-1
Compliant
and
Certified

From the highest wind resistance to lighter duty, our perimeter systems have you covered. Drexel Metals perimeter edge-to-edge

and ES-1 compliant systems are built weather-tough with premium quality, heavy-gauge materials and fully supporting engineered cleats that will meet the strictest of standards. The engineered cleats are manufactured in continuous and segmented lengths and are pre-punched, taking the guesswork out of cleat spacing. This unique design prevents sag and supports the coping for a markedly superior installation that's also quick and easy. Spring-Tite copings are precision-engineered to provide maximum wind resistance and eliminate roof edge blow off.



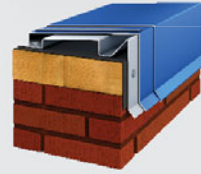
Drexel Metals Edge Systems are also available with continuous engineered cleats and a variety of gauges and design options.

- Coping widths of 4" to 32"
- Face dimensions of 4" to 12"
- Radius trim available
- Extruded Cleat
- Welded aluminum corners

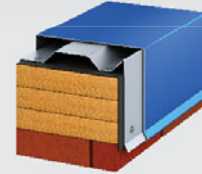


CONTENTS

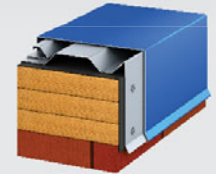
Pages 4 - 5:



Spring-Tite Coping
W/ Continuous Cleat

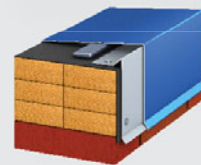


Snap Coping-Max

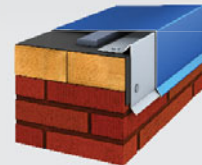


Snap Coping-Max-C

Pages 6:

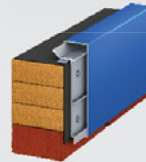


Econo Coping LT

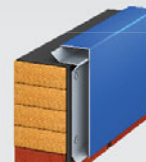


Econo Coping

Pages 7:

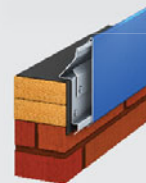


Fascia EC



Fascia Cover LT

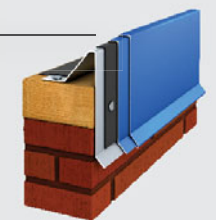
Pages 8 - 9:



Snap Gravel Stop HD



Snap Gravel Stop LT



Gravel Stop

Pages 10:



Drip Edge LT

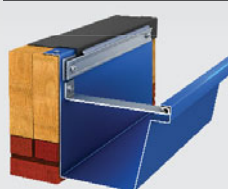


Drip Edge

Pages 11:



Gutter HD



Gutter LT

SPRING TITE COPING SYSTEMS

Engineered Commercial Roof Edge Systems



While our product offering is built to embrace every design and inspiration, safety and performance are paramount. From the mill to the job site, Drexel Metals strictly adheres to quality assurance programs that ensure installed products meet or exceed the most stringent code

requirements in the country. Our products are tested to withstand gale to hurricane force winds, hail, fire, and wind-driven rain through independent testing and certification.

ES-1 Certified Perimeter Edge Systems Wind Warranties.

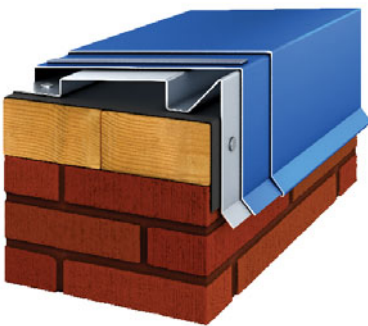
Standard (Edge) Wind Warranty: Drexel Metals provides customers with peace of mind with industry-leading coverage against strong winds.

- **110 mph 20-Year (Edge) Wind Warranty:** A 20-year warranty which provides increased wind protection.
- **215 mph HD Lifetime (Edge) Wind Warranty:** A lifetime warranty which provides wind protection up to 215 mph, and it's fully transferable!

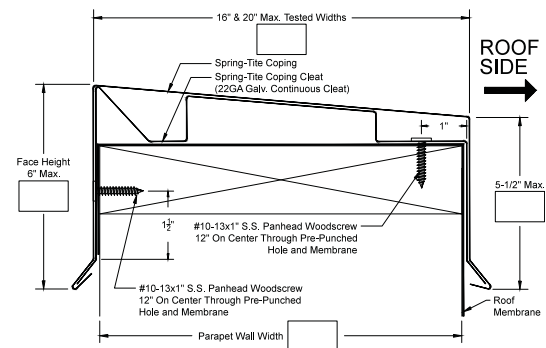
For complete information about warranty options, please call your Drexel Metals representative. It's also recommended to **check with your single-ply manufacturer for actual wind speed results of your roof membrane system.**

Drexel Metals
ES-1 Certified
Perimeter
Edge Systems
Wind
Warranty
(From date of installation)

Spring-Tite Coping W/ Continuous Cleat – performance series:



Spring-Tite Coping W/ Continuous Cleat System is a two-part assembly that includes a continuous cleat and a decorative snap-on coping cover for single-ply roofs. (Concealed splice plates and fasteners included.)



Features:

- Outside face: testing at 6".
- Inside face: testing at 5.5".
- Maximum performance: 22ga continuous prepunched cleat.
- Coping width: max 20".

Material: 22ga, 24ga Steel
.040, .050, .063 Aluminum

Paint Warranty:

35-Year Non-Pro-rated Gold Standard Paint Finish Warranty.

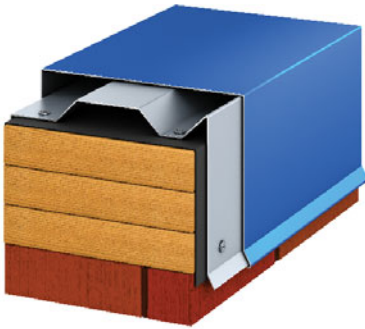
Testing: Tested in accordance with ANSI/SPRI ES-1 Standard for Sustained Wind Speeds per the International Building Code. (Qualifies for 20-Year 110 mph Warranty)

Wall Width	Tested With	Sustained Pressure
Up to 16"	24 Gauge	-105
16" - 20"	24 Gauge	-90
Up to 16"	.040 Alum	-90
16" - 20"	.040 Alum	-75

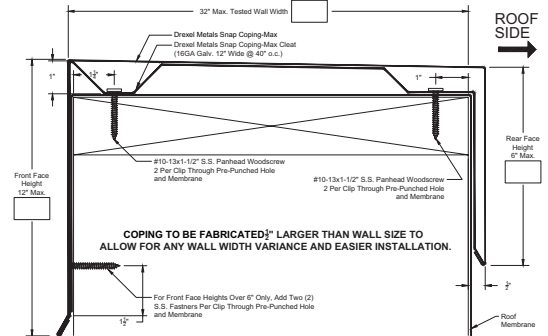
SPRING TITE COPING SYSTEMS

Engineered Commercial Roof Edge Systems

Snap Coping-Max – performance series:



Snap Coping-Max System is an assembly that includes a segmented cleat and a decorative snap-on coping cover for single-ply roofs. (Concealed splice plates and fasteners included.) Allows for installing fasteners vertically only (up to 6" face).



Features:

- Outside face: testing up to 12"
- Inside face: testing up to 6"
- Maximum performance: 16ga segmented at 40" o.c. prepunched cleat.
- Coping width: max 32"

Material: 22ga, 24ga Steel
.040, .050, .063 Aluminum

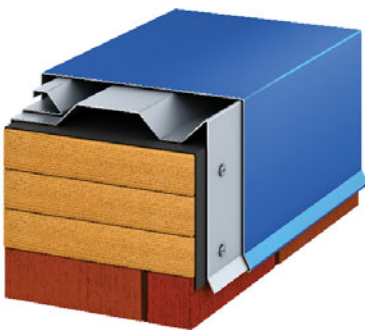
Paint Warranty:

35-Year Non Pro-rated Gold Standard Paint Finish Warranty.

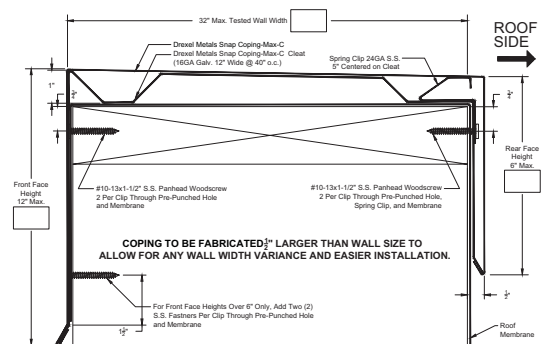
Testing: Tested in accordance with ANSI/SPRI ES-1 Standard for Sustained Wind Speeds per the International Building Code. (Qualifies for 20-Year 110 mph Warranty)

Wall Width	Tested With	Sustained Pressure
Up to 32"	24 Gauge	-100
Up to 32"	.040 Alum	-75

Snap Coping-Max-C – high performance series:



Snap Coping-Max-C System is an assembly that includes a segmented cleat, a spring clip, and a decorative snap-on coping cover for single-ply roofs. (Concealed splice plates and fasteners included.) Allows for installing fasteners vertically only (up to 6" face).



Features:

- Outside face: testing at 12"
- Inside face: testing at 6"
- Maximum performance: 16ga segmented at 40" o.c. pre-punched cleat.
- Coping width: max 32"

Material: 22ga, 24ga Steel
.040, .050, .063 Aluminum

Paint Warranty:

35-Year Non Pro-rated Gold Standard Paint Finish Warranty.

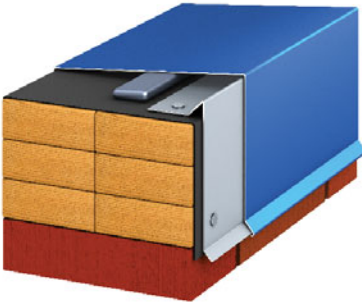
Testing: Tested in accordance with ANSI/SPRI ES-1 Standard for Sustained Wind Speeds per the International Building Code. (Qualifies for Lifetime 215 mph Warranty)

Wall Width	Tested With	Sustained Pressure
Up to 32"	24 Gauge	-100
Up to 32"	.040 Alum	-100

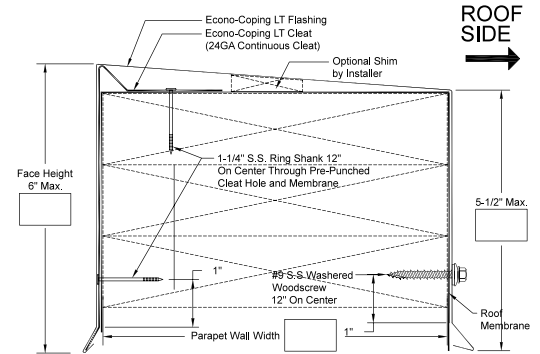
ECONO COPING SYSTEMS

Engineered Commercial Roof Edge Systems

Econo Coping LT – performance series:



Econo Coping LT System is a two-part assembly that includes a continuous cleat and a decorative snap-on coping cover for single-ply roofs. (Concealed splice plates and fasteners included.)



Features:

- Outside face: testing at 6"
- Inside face: testing at 5.5"
- Maximum performance: 24ga continuous cleat.
- Coping width: max 24"

Material: 22ga, 24ga Steel
.040, .050, .063 Aluminum.

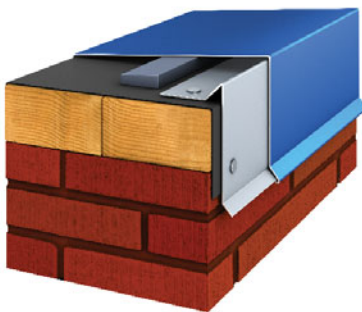
Paint Warranty:

35-Year Non Pro-rated Gold Standard Paint Finish Warranty.

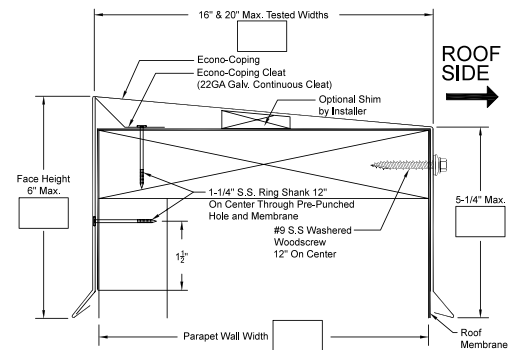
Testing: Tested in accordance with ANSI/SPRI ES-1 Standard for Sustained Wind Speeds per the International Building Code. (Qualifies for 20-Year 110 mph Warranty)

Wall Width	Tested With	Sustained Pressure
Up to 16"	24 Gauge	-180
Up to 24"	24 Gauge	-130
Up to 16"	.040 Alum	-240
Up to 24"	.040 Alum	-110

Econo Coping – high performance series:



Econo Coping System is a two-part assembly that includes a continuous cleat and a decorative snap-on coping cover for single-ply roofs. (Concealed splice plates and fasteners included.)



Features:

- Outside face: testing at 6"
- Inside face: testing at 5.5"
- Maximum performance: 22ga continuous cleat.
- Coping width: max 20"

Material: 22ga, 24ga Steel
.040, .050, .063 Aluminum.

Paint Warranty:

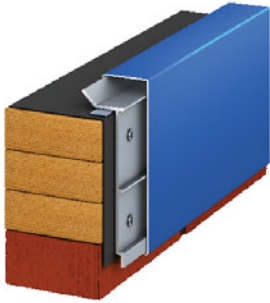
35-Year Non Pro-rated Gold Standard Paint Finish Warranty.

Testing: Tested in accordance with ANSI/SPRI ES-1 Standard for Sustained Wind Speeds per the International Building Code. (Qualifies for Lifetime 215 mph Warranty)

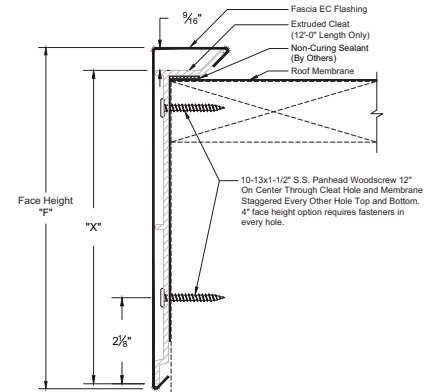
Wall Width	Tested With	Sustained Pressure
Up to 16"	24 Gauge	-250
Up to 24"	24 Gauge	-210
Up to 16"	.040 Alum	-260
Up to 24"	.040 Alum	-210

Engineered Commercial Roof Edge Systems

Fascia EC – high performance series:



Fascia EC System is a two part assembly that includes an extruded base and a decorative snap-on fascia cover for single-ply roofs. (Concealed splice plates and fasteners are included.)



Features:

- Outside face: testing up to 11.5".
- Maximum performance: .080 Extruded Cleat.

Material: 22ga, 24ga Steel
.040, .050, .063 Aluminum

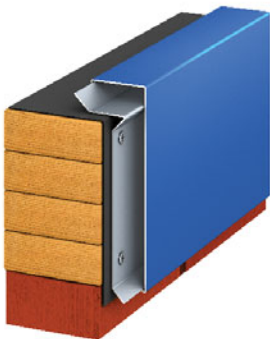
Paint Warranty:

35-Year Non Pro-rated Gold Standard Paint Finish Warranty.

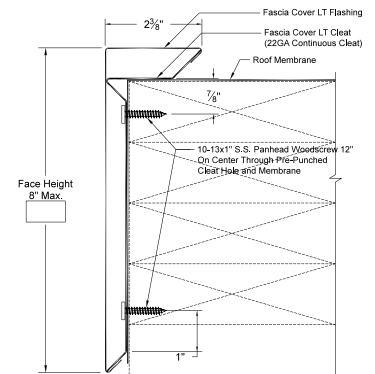
Testing: Tested in accordance with ANSI/SPRI ES-1 Standard for Sustained Wind Speeds per the International Building Code. (Qualifies for Lifetime 215 mph Warranty)

Face Height	Tested With	Sustained Pressure
Up to 8.5"	24 Gauge	-300
Up to 8.5"	.040 Alum	-340
8.5" – 11.5"	22 Gauge	-160
8.5" – 11.5"	.050 Alum	-160

Fascia Cover LT – performance series:



Fascia Cover LT System is a two-part assembly that includes a continuous base and a decorative snap-on fascia cover for single-ply roofs. (Concealed splice plates and fasteners are included.)



Features:

- Outside face: testing at 8".
- Maximum performance: 22ga continuous cleat.

Material: 22ga, 24ga Steel
.040, .050, .063 Aluminum.

Paint Warranty:

35-Year Non Pro-rated Gold Standard Paint Finish Warranty.

Testing: Tested in accordance with ANSI/SPRI ES-1 Standard for Sustained Wind Speeds per the International Building Code. (Qualifies for 20-Year 110 mph Warranty)

Face Height	Tested With	Sustained Pressure
Up to 8"	24 Gauge	-210
Up to 8"	.040 Alum	-180

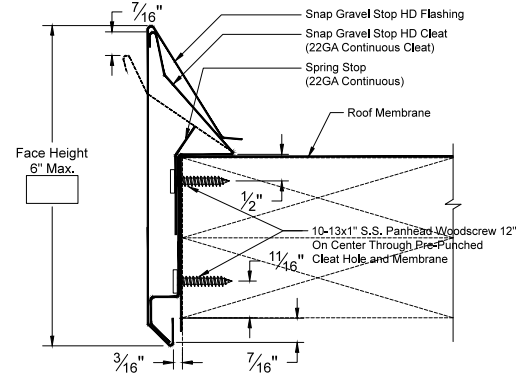
GRAVEL STOP SYSTEMS

Engineered Commercial Roof Edge Systems

Snap Gravel Stop HD – high performance series:



Snap Gravel Stop HD System is a three-part assembly that includes a continuous base, spring-stop, and a decorative snap-on Gravel Stop cover for single-ply roofs. (Concealed splice plates and fasteners included.)



Features:

- Outside face: testing at 6"
- Maximum performance: 22ga continuous cleat.

Material: 22ga, 24ga Steel
.040, .050, .063 Aluminum

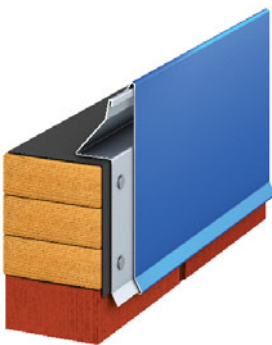
Paint Warranty:

35-Year Non Pro-rated Gold Standard Paint Finish Warranty.

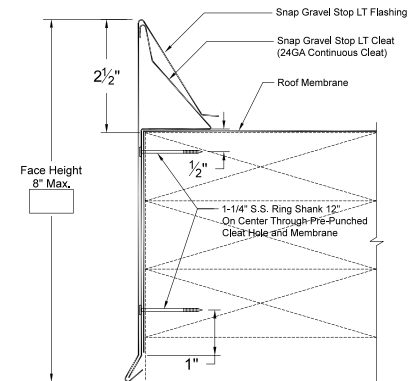
Testing: Tested in accordance with ANSI/SPRI ES-1 Standard for Sustained Wind Speeds per the International Building Code. (Qualifies for Lifetime 215 mph Warranty)

Face Height	Tested With	Sustained Pressure
Up to 6"	24 Gauge	-200
Up to 6"	.040 Alum.	-210

Snap Gravel Stop LT – performance series:



Snap Gravel Stop LT System is a two-part assembly that includes a continuous base and a decorative snap-on Gravel Stop cover for single-ply roofs. (Concealed splice plates and fasteners included.)



Features:

- Outside face: testing at 8"
- Maximum performance: 24ga continuous cleat.

Material: 22ga, 24ga Steel
.040, .050, .063 Aluminum

Paint Warranty:

35-Year Non Pro-rated Gold Standard Paint Finish Warranty.

Testing: Tested in accordance with ANSI/SPRI ES-1 Standard for Sustained Wind Speeds per the International Building Code. (Qualifies for 20-Year 110 mph Warranty)

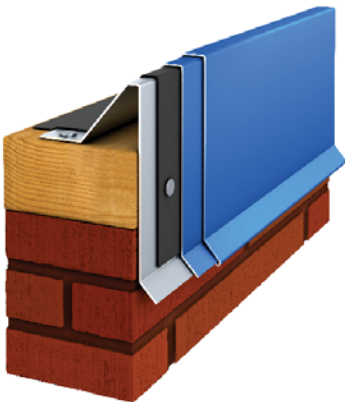
Face Height	Tested With	Sustained Pressure
Up to 8"	24 Gauge	-70
Up to 8"	.040 Alum.	-90

GRAVEL STOP SYSTEMS

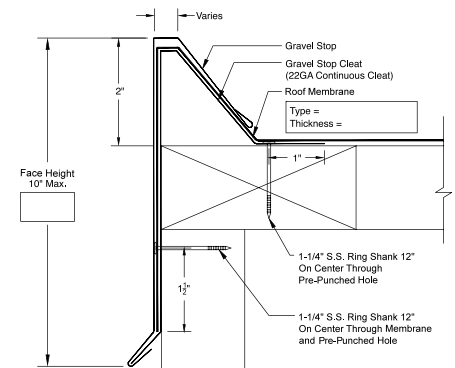
Engineered Commercial Roof Edge Systems



Gravel Stop:



Gravel Stop System is built weather-tough with heavy-gauge materials and a fully supporting engineered cleat that will meet the strictest of standards.



Features:

- Outside face: testing at 10"
- Maximum performance: 22ga continuous cleat.

Material: 22ga, 24ga Steel
.040, .050, .063 Aluminum.

Paint Warranty:

35-Year Non Pro-rated Gold Standard Paint Finish Warranty.

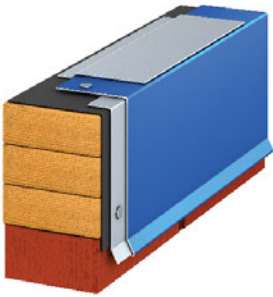
Testing: Tested in accordance with ANSI/SPRI ES-1 Standard for Sustained Wind Speeds per the International Building Code. (Qualifies for 20-Year 110 mph Warranty)

Face Height	Tested With	Sustained Pressure
Up to 10"	24 Gauge	-180
Up to 10"	.040 Alum.	-170

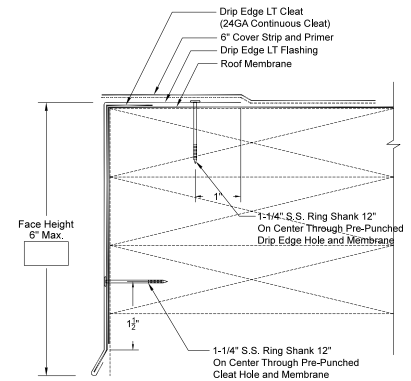
DRIP EDGE SYSTEMS

Engineered Commercial Roof Edge Systems

Drip Edge LT – performance series:



Drip Edge LT System is a two-part assembly that includes a continuous base and a decorative drip edge cover for single-ply roofs. (Concealed splice plates and fasteners included.)



Features:

- Outside face: testing at 6"
- Maximum performance: 24ga continuous cleat.

Material: 22ga, 24ga Steel
.040, .050, .063 Aluminum.

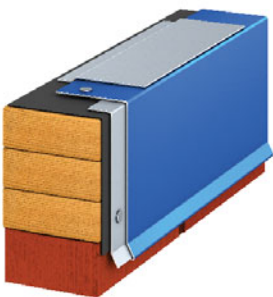
Paint Warranty:

35-Year Non Pro-rated Gold Standard Paint Finish Warranty.

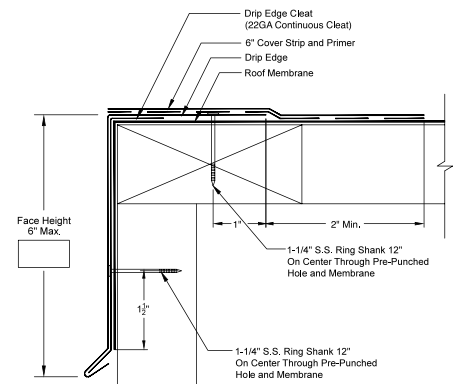
Testing: Tested in accordance with ANSI/SPRI ES-1 Standard for Sustained Wind Speeds per the International Building Code. (Qualifies for 20-Year 110 mph Warranty)

Face Height	Tested With	Sustained Pressure
Up to 6"	24 Gauge	-240
Up to 6"	.040 Alum.	-250

Drip Edge – high performance series:



Drip Edge System is a two-part assembly that includes a continuous base and a decorative drip edge cover for single-ply roofs. (Concealed splice plates and fasteners included.)



Features:

- Outside face: testing at 6"
- Maximum performance: 22ga continuous cleat.

Material: 22ga, 24ga Steel
.040, .050, .063 Aluminum.

Paint Warranty:

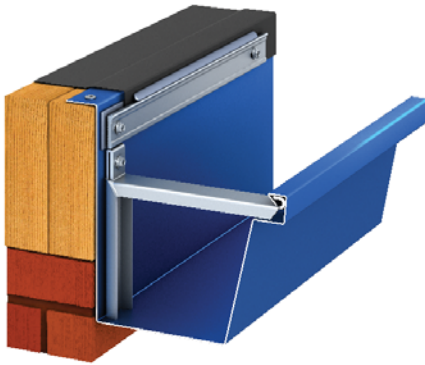
35-Year Non Pro-rated Gold Standard Paint Finish Warranty.

Testing: Tested in accordance with ANSI/SPRI ES-1 Standard for Sustained Wind Speeds per the International Building Code. (Qualifies for Lifetime 215 mph Warranty)

Face Height	Tested With	Sustained Pressure
Up to 6"	24 Gauge	-390
Up to 6"	.040 Alum.	-410

Engineered Commercial Roof Edge Systems

Gutter HD – high performance series:

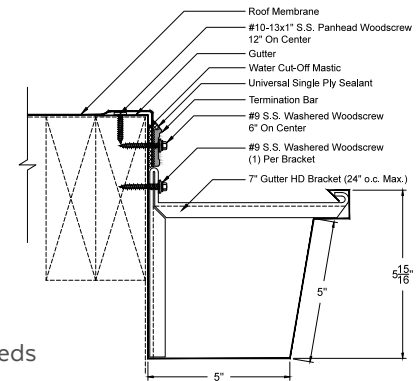


Gutter HD System is a heavy-duty gutter system used with single-ply roofs. (Gutter brackets and fasteners included – spaced 24" on center.)

Material: 22ga, 24ga Steel .040, .050, .063 Aluminum.

Paint Warranty: 35-Year Non Pro-rated Gold Standard Paint Finish Warranty.

Testing: Tested in accordance with ANSI/SPRI ES-1 Standard for Sustained Wind Speeds per the International Building Code. Gutter HD uses an aluminum gutter bracket perfect for more aggressive environments like salt water.



Gutter Type	Tested With	Sustained Pressure
G-1 Horizontal (outward pull)	24 Gauge	-200
G-2 Vertical (upward pull)	24 Gauge	-90
G-2 Vertical (upward pull)	24 Gauge	-430

Gutter Type	Tested With	Sustained Pressure
G-1 Horizontal (outward pull)	.040 Alum.	-230
G-2 Vertical (upward pull)	.040 Alum.	-90
G-2 Vertical (upward pull)	.040 Alum.	-430

Gutter LT – performance series:

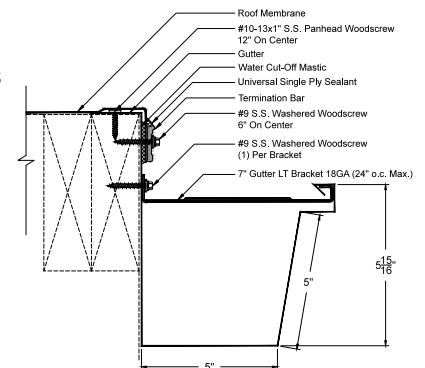


Gutter LT System is a performance-rated gutter system used with single-ply roofs. (Gutter brackets and fasteners included – spaced 24" on center.)

Material: 22ga, 24ga Steel .040, .050, .063 Aluminum.

Paint Warranty: 35-Year Non Pro-rated Gold Standard Paint Finish Warranty.

Testing: Tested in accordance with ANSI/SPRI ES-1 Standard for Sustained Wind Speeds per the International Building Code. Gutter LT uses our standard Hot Dipped Galvanized gutter bracket.



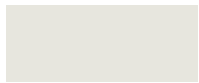
Gutter Type	Tested With	Sustained Pressure
G-1 Horizontal (outward pull)	24 Gauge	-290
G-2 Vertical (upward pull)	24 Gauge	-20
G-2 Vertical (upward pull)	24 Gauge	-430

Gutter Type	Tested With	Sustained Pressure
G-1 Horizontal (outward pull)	.040 Alum.	-310
G-2 Vertical (upward pull)	.040 Alum.	-40
G-2 Vertical (upward pull)	.040 Alum.	-430

EDGE METAL COLOR OPTIONS*



High Performance PVDF Paint Systems



STONE WHITE*



BONE WHITE
(REGAL WHITE)



SANDSTONE



ALMOND



SIERRA TAN



BUCKSKIN



MEDIUM BRONZE



DARK BRONZE



ANTIQUÉ BRONZE
(DARK BRONZE)



MIDNIGHT BRONZE*



AGED BRONZE*



MANSARD BROWN



BLACK (MATTE BLACK)



CITYSCAPE
(DOVE GRAY)



SLATE GRAY



GRANITE*



MUSKET GRAY*



CHARCOAL*



IRON ORE
(CHARCOAL GRAY)



HEMLOCK GREEN



PATINA GREEN



FOREST GREEN



HARTFORD GREEN



BURGUNDY



COLONIAL RED



TERRA COTTA



CARDINAL RED*
(BRILLIANCE RED)



TEAL*



MILITARY BLUE
(SLATE BLUE)



PACIFIC BLUE



INTERSTATE BLUE*
(DEEP BLUE SEA)



AWARD BLUE*



SILVER
(BRIGHT SILVER) P



ZINC* P



WEATHERED ZINC P
(PREWEATHERED GALVALUME)



CHAMPAGNE P



COPPER PENNY P
(METALLIC COPPER)



AGED COPPER* P



DREXLUME™ M

() = PREVIOUS COLOR

P = PREMIUM

M = MILL FINISH

* = NEW COLOR

Updated May 2020

Corporate Office:

1234 Gardiner Lane
Louisville, KY 40213
Phone: 888-321-9630
Fax: 502-690-6174

Northeast Sales Region:

2101 Green Lane, Suite C
Levittown, PA 19057
Phone: 215-486-2145

MidAtlantic Sales Region:

6930 San Tomas Road, Suite A
Elkridge, MD 21075
Phone: 800-863-8322
Fax: 410-799-9913

Midwest Sales Region:

6529 Hadley Street
Raytown, MO 64133
Phone: 816-356-4714

Southeastern Sales Region:

8641 Elm Fair Blvd.
Tampa, FL 33610
Phone: 727-572-7900
Fax: 727-572-7910

673 NW Enterprise Drive
Port Saint Lucie, FL 34986
Phone: 877-863-8256

Western Sales Region:

6270 Joyce Drive
Arvada, CO 80403
Phone: 303-420-8538
Fax: 303-420-8356

Drexel Metals
Roofing Systems + Custom Fabrication



A CARLISLE COMPANY

1234 Gardiner Lane | Louisville, KY 40213
drexelmetals.com | 888-321-9630 | Fax: 877-321-9638.