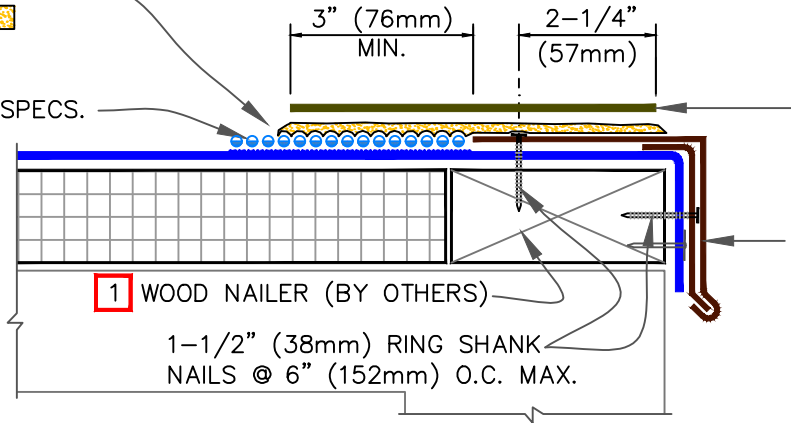


FULLY ADHERE 6" (152mm)  
WIDE, NON-REINFORCED, PS  
PVC/KEE HP COVER STRIP

STEP 2: APPLY PRIMER  
PER SPECS.

STEP 1: APPLY  
ACTIVATOR PER SPECS.



CARLISLE DRIP  
EDGE FASCIA OR  
METAL FASCIA  
(BY OTHERS)

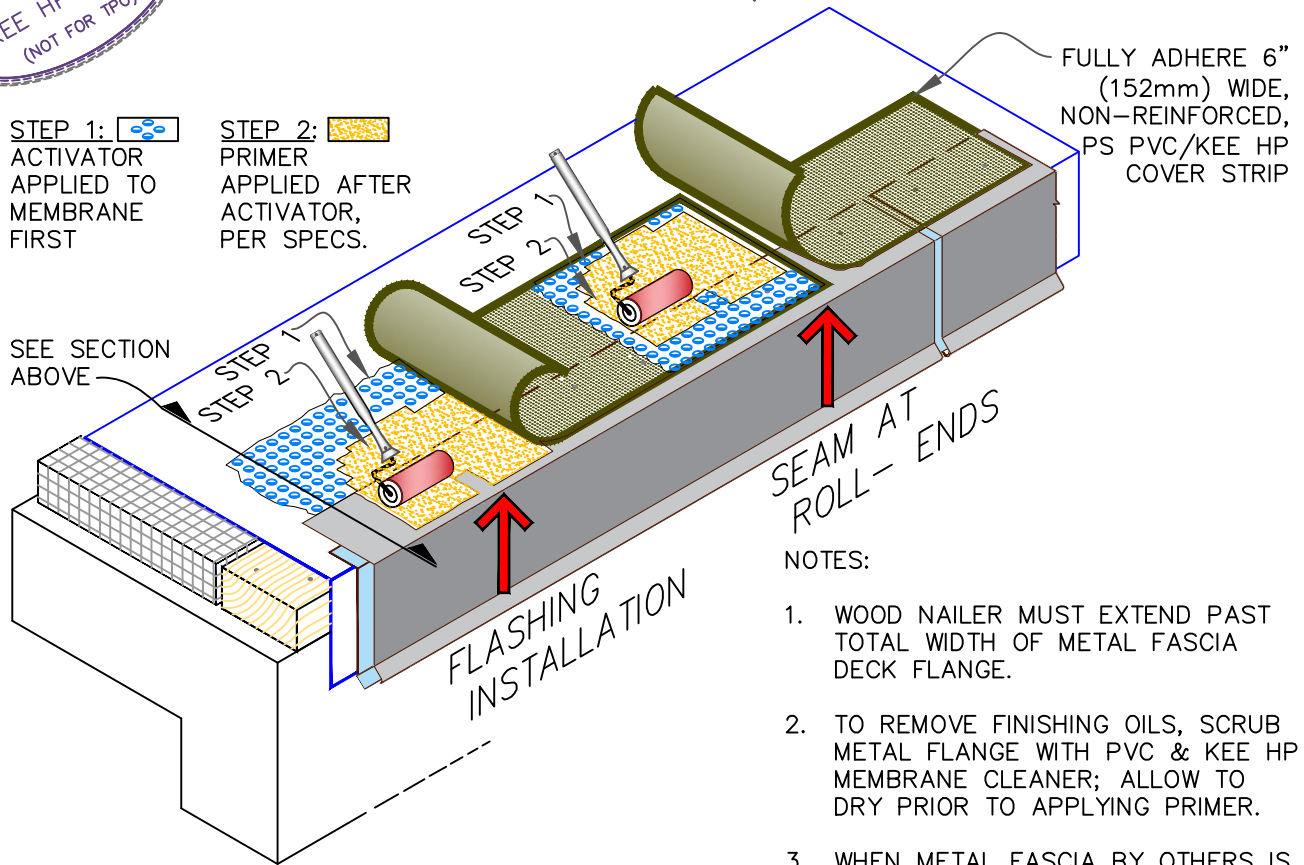
1 WOOD NAILER (BY OTHERS)  
1-1/2" (38mm) RING SHANK  
NAILS @ 6" (152mm) O.C. MAX.

PVC/  
KEE HP ONLY.  
(NOT FOR TPO)

STEP 1: ACTIVATOR  
APPLIED TO  
MEMBRANE  
FIRST

STEP 2: PRIMER  
APPLIED AFTER  
ACTIVATOR,  
PER SPECS.

SEE SECTION  
ABOVE



FULLY ADHERE 6"  
(152mm) WIDE,  
NON-REINFORCED,  
PS PVC/KEE HP  
COVER STRIP

SEAM AT  
ROLL-ENDS

FLASHING  
INSTALLATION

NOTES:

1. WOOD NAILER MUST EXTEND PAST TOTAL WIDTH OF METAL FASCIA DECK FLANGE.
2. TO REMOVE FINISHING OILS, SCRUB METAL FLANGE WITH PVC & KEE HP MEMBRANE CLEANER; ALLOW TO DRY PRIOR TO APPLYING PRIMER.
3. WHEN METAL FASCIA BY OTHERS IS USED, FASTENER TYPE AND FASTENING FREQUENCY SHALL BE RECOMMENDED BY METAL EDGE MANUFACTURER.
4. TO ENSURE TPO PRESSURE-SENSITIVE COVER STRIP CONFORMS TO STEP-OFFS, HEAT COVER STRIP AT SPLICE INTERSECTIONS PRIOR TO ROLLING.

	—● PVC OR KEE HP MEMBRANE	PRESSURE-SENSITIVE PVC/KEE HP COVER STRIP		DETAIL NO.
	—● APPROVED SUBSTRATE			U-1G
	—● SEE NOTE(S)	For additional information, refer to Specifications	THERMOPLASTIC PVC	