

**SecurEdge™  
300/3000 Series**



**Engineered Commercial Roof Edge Systems**

# Experience the Carlisle Difference

In the 1960s, Carlisle SynTec Systems transformed the commercial roofing industry with the introduction of its Sure-Seal® EPDM single-ply membrane. Since that time, Carlisle has earned a reputation for providing the most dependable and longest-lasting single-ply roof systems on the market.

Today, Carlisle's product offering has grown to include Sure-Weld® TPO, Sure-Flex™ PVC, and FleeceBACK® membranes, as well as a full line of labor-saving accessories. Carlisle also offers edge metal, Roof Garden components, coatings, skylights, and pavers, and manufactures its own polyiso and EPS insulation, adhesives, primers, and membrane cleaners.

Carlisle roofs have been installed on a wide range of buildings around the world, including schools, hospitals, warehouses, and cold-storage facilities. With more than 15 billion square feet of roofing materials sold and installed, Carlisle continues to lead the industry by providing innovative products, services, and warranty options. Whatever your roofing needs, Carlisle has a system – and a solution – for you.

---

## CARLISLE'S SECUREDGE 300/3000 PRODUCT LINE

---

- » SecurEdge 3000XT Fascia
- » SecurEdge 3000 Fascia
- » SecurEdge 300 Coping
- » SecurEdge 300 Plus Coping
- » SecurEdge 300 Fascia
- » SecurWeld 300 TPO & PVC Coated Drip Edge
- » SecurEdge 300 Drip Edge
- » SecurEdge 300 Gravel Stop
- » SecurEdge 300 Gutter
- » SecurEdge Accessories

---

## SELECTING THE IDEAL PERIMETER EDGE SYSTEM FOR YOUR BUILDING

---

The importance of a properly designed roof edge system should not be underestimated. On average, the roof edge typically represents only 1% of a building's overall cost. However, improper design and installation of the roof edge can have catastrophic consequences. Selecting a properly designed and tested metal edge system can diminish the risks and result in a roof system that stands the test of time.

- » A quality roof edge system will resist the inward pull of the roof system due to expansion and contraction.
- » A quality roof edge system will resist the wind uplift forces that can peel the edge system off the building.

---

## AVAILABLE WARRANTIES

---

Carlisle employs stringent quality assurance protocols to ensure its products meet or exceed the strictest code requirements in the country. Independently tested and certified to withstand high winds, hail, fire, and wind-driven rain, Carlisle's edge metal is backed by industry-leading warranties, including:

- » Golden Seal Total Roofing System Warranty
- » A fully transferrable 35-year, Non-Prorated Paint Finish Warranty

For complete information about warranty options, please contact your Carlisle manufacturer's representative.



## WHAT IS AN ES-1 TESTED ROOF EDGE SYSTEM?

The ANSI/SPRI ES-1 Standard is a reference for those who design, specify, fabricate, or install edge materials used with low-slope roofing systems. Based on the information in ASCE 7 Minimum Design Loads for Buildings and Other Structures, the purpose of ES-1 is to improve the longevity and safety of low-slope commercial roofs by incorporating quality edge metal systems.

ES-1 provides calculations and test methods for determining wind uplift pressures on perimeter roof edge terminations, helping to protect the entire system by reducing the risk of edge failure.

## ES-1 COMPLIANT AND CERTIFIED

Regardless of what level of wind resistance is required, Carlisle has an edge metal system for the job. Carlisle's ES-1 compliant edge metal systems are made of premium-quality, heavy-gauge materials and feature pre-punched, engineered cleats that are available in both continuous and segmented lengths. This unique cleat design takes the guesswork out of fastener spacing, prevents sag, and is quick and simple to install.

Carlisle's edge systems are available in a variety of gauges, colors, and design options.

- » Coping widths of 4" to 32"
- » Face dimensions of 2.5" to 13"
- » Radius trim
- » Riveted corners
- » Welded aluminum corners

## SECUREDGE PRODUCT COMPARISON CHART

	Product Name	ANSI/SPRI ES-1 Tested and FM Approved	Cleat Material	Installation Method	Maximum Tested Size	Standard Sizes	Custom Size Available	Installed Cost
Premium	SecurEdge 3000 XT Fascia	✓	Heavy Duty Extruded Aluminum		11.25" Face	3.75", 5.25", 6.75", 8.25", 11.25"	✗	\$\$\$
	SecurEdge 300 Plus Coping	✓	Formed 16 Gauge Steel		6" Face, 24" Wide Wall*	N/A	✓	\$\$\$\$
Preferred	SecurEdge 3000 Fascia	✓	Formed 20 Gauge Steel or .050 Aluminum		10" Face	3.75", 5.25", 6.75", 8.25", 11.25"	✓	\$
	SecurEdge 300 Fascia	✓	Formed 22 Gauge Steel		12" Face	5.5", 7", 8.5", 10"	✓	\$\$
	SecurEdge 300 Coping	✓	Formed 20 Gauge Steel		6" Face, 16" Wide Wall**	N/A	✓	\$\$\$
Basic	SecurEdge 300 Gravel Stop	✓	Formed 24 Gauge Steel		8" Face	N/A	✓	\$\$
	SecurEdge 300 Drip Edge	✓	Formed 24 Gauge Steel		8" Face	N/A	✓	\$\$

\*10" face, 32" wide wall allowable when continuous cleat is used.  
 \*\* 10" face, 24" wide wall allowable when continuous cleat is used.



## SECUREDGE 3000XT FASCIA

Carlisle's SecurEdge 3000XT is a two-part assembly that includes an extruded retainer cleat and a decorative snap-on fascia cover. The simple design allows for fast installation while delivering top of the line performance.

**Material:** Available in .040" (1.00 mm), .050" (1.25 mm), and .063" (1.60 mm) aluminum, and 24-gauge Kynar 500®-coated galvanized steel. The retainer cleat is .100" extruded aluminum with pre-punched slotted holes for fasteners at 12" (304.8 mm) on center (provided), and is available in 10' (3048 mm) standard lengths.

### Available Warranties:

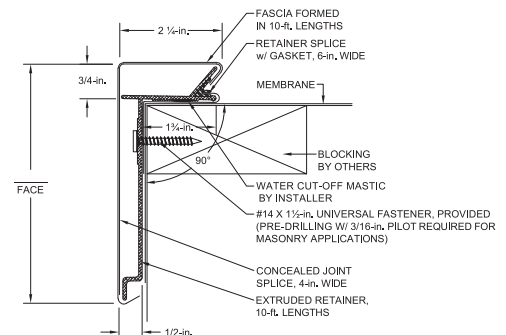
- » Golden Seal Total Roofing System Warranty
- » Fully transferrable 35-year, Non-Prorated Paint Finish Warranty

**Testing:** This material has been tested in accordance with ANSI/SPRI FM-4435 ES-1 Standard for Sustained Wind Speeds per the International Building Code.



### Specifications

Fascia Model	Face Height	Coverage	No. of Nailers Covered
SE3XT-375	3.75" (95.3 mm)	2.5" (63.5 mm)	1
SE3XT-525	5.25" (133.4 mm)	4.0" (101.6 mm)	2
SE3XT-675	6.75" (171.5 mm)	5.5" (139.7 mm)	3
SE3XT-825	8.25" (209.6 mm)	7.0" (177.8 mm)	4
SE3XT-1125	11.25" (285.8 mm)	10.0" (254.0 mm)	5



## SECUREDGE 3000 FASCIA

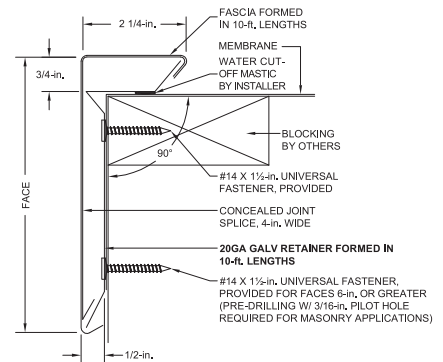
Carlisle's SecurEdge 3000 Fascia is a two-part assembly that includes a formed steel or aluminum retainer cleat and a decorative snap-on cover. The simple design allows for fast installation while still delivering excellent performance.

**Material:** Available in .040" (1.00 mm), .050" (1.25 mm), and .063" (1.60 mm) aluminum, and 24-gauge Kynar 500-coated galvanized steel. The retainer cleat is available in 20-gauge galvanized steel or .050" aluminum with pre-punched slotted holes for fasteners at 12" (304.8 mm) on center (provided), and is available in 10' standard length.

### Available Warranties:

- » Golden Seal Total Roofing System Warranty
- » Fully transferrable 35-year Non-Prorated Paint Finish Warranty

**Testing:** This material has been tested in accordance with ANSI/SPRI FM-4435 ES-1 Standard for Sustained Wind Speeds per the International Building Code.



### Specifications

Fascia Model	Face Height	Nailer Thickness Covered
SE3-375	3.75" (95.3 mm)	2.25" (57.2 mm)
SE3-525	5.25" (133.4 mm)	3.75" (95.3 mm)
SE3-675	6.75" (171.5 mm)	5.25" (133.4 mm)
SE3-825	8.25" (209.6 mm)	6.75" (171.5 mm)

## SECUREDGE 300 COPING

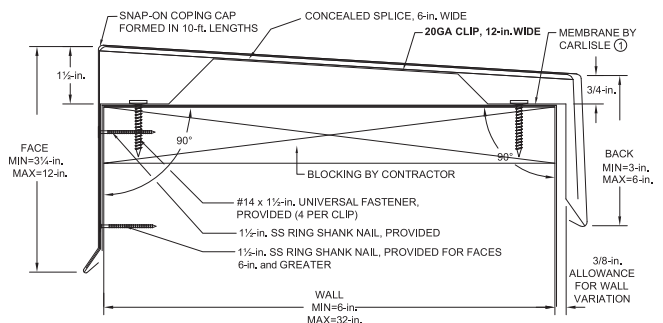
Carlisle's SecurEdge 300 Coping is a two-part system that includes 20-gauge steel coping clips and a snap-on coping cap with concealed splice plates at all joints. The design offers excellent performance with an easy installation for a clean professional look.

**Material:** Available in .063" (1.60 mm), .050" (1.25 mm) or .040" (1.00 mm) aluminum, and 22-gauge or 24-gauge Kynar 500 coated galvanized steel. Clips are formed from 20 gauge galvanized steel with pre-punched slotted holes.

### Available Warranties:

- » Golden Seal Total System Roofing System Warranty
- » Fully transferrable 35-year, Non-Prorated Paint Finish Warranty

**Testing:** This product has been tested in accordance with ANSI/SPRI ES-1 FM-4435 Standard for Sustained Wind Speeds per the International Building Code.



### Specifications

Standard Sizes	Material & Gauge	Finishes
Wall Sizes: 6"–32"	Aluminum – Standard is .050" & .063"	Mill Finish
Standard Face Size: 4"	Galvanized Steel – Standard is 24 gauge up to a 24" wall	Manufacturer's Standard Kynar 500 Colors
Minimum Face Size: 2 1/8"		Custom or Exotic Kynar 500 Post-Finished Colors
Maximum Face Size: 12"	Copper & Stainless Steel by request	Clear Anodized
Miter Leg Lengths:		Bronze Anodized
< 16" Wall = 23 1/4"		
17"–23" Wall = 29 1/4"		
24"–32" = Custom Length		

## SECUREDGE 300 PLUS COPING

Carlisle's SecurEdge 300 Plus Coping is a two-part system that includes heavy duty 16-gauge steel coping clips and a snap-on coping cap with concealed splice plates at all joints. The design offers top of the line performance with an easy installation for a clean professional look.

**Material:** Available in .063" (1.60 mm), .050" (1.25 mm) or .040" (1.00 mm) aluminum, and 22-gauge or 24-gauge Kynar 500 coated galvanized steel. Clips are formed from 16-gauge galvanized steel with pre-punched slotted holes.

### Available Warranties:

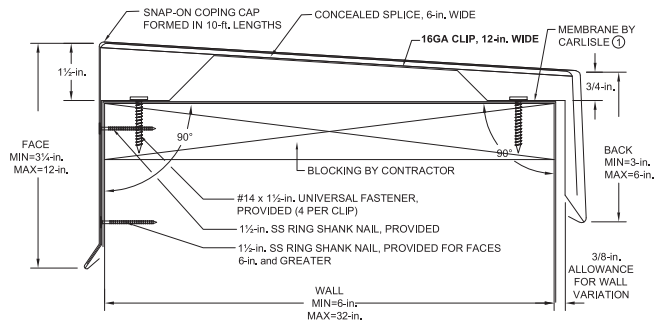
- » Golden Seal Total Roofing System Warranty
- » Fully transferrable 35-year, Non-Prorated Paint Finish Warranty

**Testing:** This product has been tested in accordance with ANSI/SPRI FM-4435 ES-1 Standard for Sustained Wind Speeds per the International Building Code.



### Specifications

Standard Sizes	Material & Gauge	Finishes
Wall Sizes: 6"–32"	Aluminum – Standard is .050" & .063"	Mill Finish
Standard Face Size: 4"		Manufacturer's Standard Kynar 500 Colors
Minimum Face Size: 2 1/8"	Galvanized Steel – Standard is 24 gauge up to a 24" wall	
Maximum Face Size: 12"	Copper & Stainless Steel by request	Custom or Exotic Kynar 500 Post-Finished Colors
Miter Leg Lengths: < 16" Wall = 23 1/4" 17"–23" Wall = 29 1/4" 24"–32" = Custom Length		Clear Anodized Bronze Anodized



## SECUREDGE 300 FASCIA

Carlisle's SecurEdge 300 Fascia is a two-part assembly that includes a formed galvanized steel spring cleat and a decorative snap-on cover. The design allows membrane to come up and over the cleat creating a water dam around the perimeter of the roof.

**Material:** Available in .063" (1.60 mm), .050" (1.25 mm) aluminum, and 24-gauge Kynar 500 coated galvanized steel.

### Available Warranties:

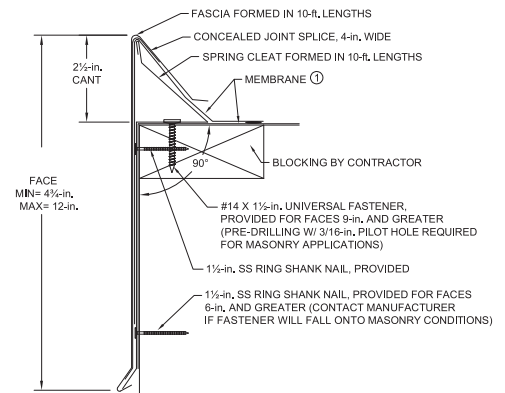
- » Golden Seal Total Roofing System Warranty
- » Fully transferrable 35-year, Non-Prorated Paint Finish Warranty

**Testing:** This product has been tested in accordance with ANSI/SPRI FM-4435 ES-1 Standard for Sustained Wind Speeds per the International Building Code.



### Specifications

Fascia Model	Face Height	Coverage	Springclip Gauge
SE300-550	5.5" (139.7 mm)	2.25" (57.2 mm)	24 ga.
SE300-700	7.0" (177.8 mm)	3.75" (95.3 mm)	24 ga.
SE300-850	8.5" (215.9 mm)	5.25" (133.4 mm)	24 ga.
SE300-1000	10.0" (254.0 mm)	6.75" (171.5 mm)	24 ga.



## SECURWELD 300 TPO & PVC COATED DRIP EDGE

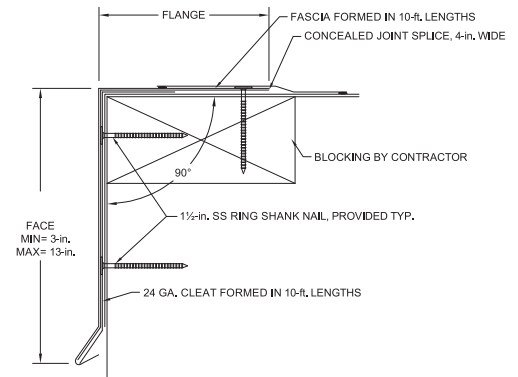
Carlisle's SecurWeld 300 TPO and PVC Coated Drip Edge is a two-part assembly that includes an L-shaped continuous cleat with pre-slotted fastening holes and a TPO or PVC coated cover with pre-slotted fastening holes on the roof flange. Membrane can be welded directly to the TPO or PVC coated cover, creating a watertight bond between the field of the roof and the edge metal.

**Material:** Available in Carlisle TPO or PVC Coated Metal.

**Available Warranties:**

- » Golden Seal Total Roofing System Warranty
- » Fully transferrable 35-year, Non-Prorated Paint Finish Warranty

**Testing:** This product has been tested in accordance with ANSI/SPRI FM-4435 ES-1 Standard for Sustained Wind Speeds per the International Building Code.



### Specifications

Cleat	Coverage
22 or 24 gauge galvanized steel	Up to 12.25"

Note: ANSI/SPRI FM-4435 ES-1 tested up to 6"

## SECUREDGE 300 DRIP EDGE

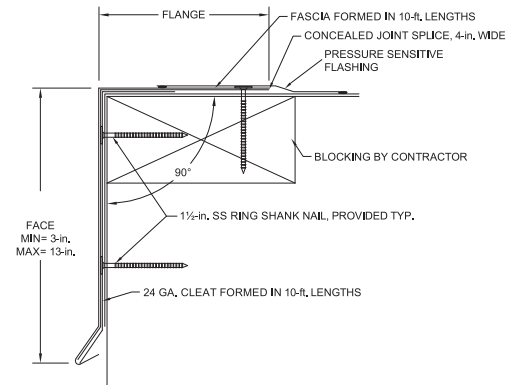
Carlisle's SecurEdge 300 Drip Edge is a two-part assembly that includes an L-shaped continuous cleat with pre-slotted fastening holes and a decorative cover with pre-slotted fastening holes on the roof flange. Once the cleat and flange are fastened the drip-edge can be stripped in using Carlisle pressure sensitive cover-strip and primer.

**Material:** Available in .040" (1.00 mm), .050" (1.25 mm), and .063" (1.60 mm) aluminum, and 24-gauge Kynar 500-coated galvanized steel.

**Available Warranties:**

- » Golden Seal Total Roofing System Warranty
- » Fully transferrable 35-year, Non-Prorated Paint Finish Warranty

**Testing:** This product has been tested in accordance with ANSI/SPRI FM-4435 ES-1 Standard for Sustained Wind Speeds per the International Building Code.



### Specifications

Cleat	Coverage
22 or 24 gauge galvanized steel	Up to 12.25"

Note: ANSI/SPRI FM-4435 ES-1 tested up to 6"

## SECUREDGE 300 GRAVEL STOP

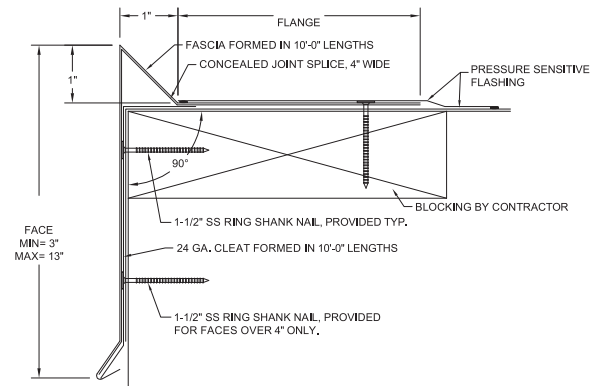
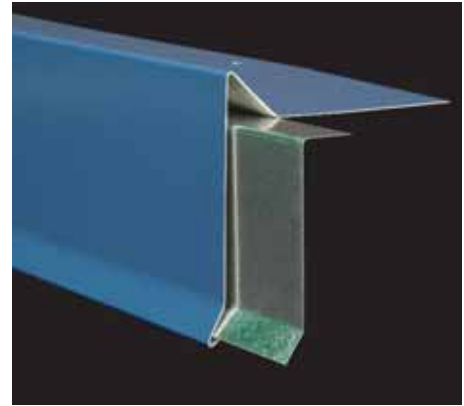
Carlisle's SecurEdge 300 Gravel Stop is a two-part assembly that includes an L-shaped continuous cleat with pre-slotted fastening holes and a decorative cover with pre-slotted fastening holes on the roof flange. It features a 1" rise above the roof surface to help prevent water on the roof from dripping down the metal face and outside walls of the building. Once the cleat and flange are fastened the drip-edge can be stripped in using Carlisle pressure sensitive cover-strip and primer.

**Material:** Available in .040" (1.00 mm), .050" (1.25 mm), and .063" (1.60 mm) aluminum, as well as 24-gauge Kynar 500-coated galvanized steel.

### Available Warranties:

- » Golden Seal Total Roofing System Warranty
- » Fully transferrable 35-year, Non-Prorated Paint Finish Warranty

**Testing:** This product has been tested in accordance with ANSI/SPRI FM-4435 ES-1 Standard for Sustained Wind Speeds per the International Building Code.



### Specifications

Cleat	Coverage
22 or 24 gauge galvanized steel	Up to 11.25"

Note: ANSI/SPRI FM-4435 ES-1 tested up to 6"

## SECUREDGE 300 GUTTER

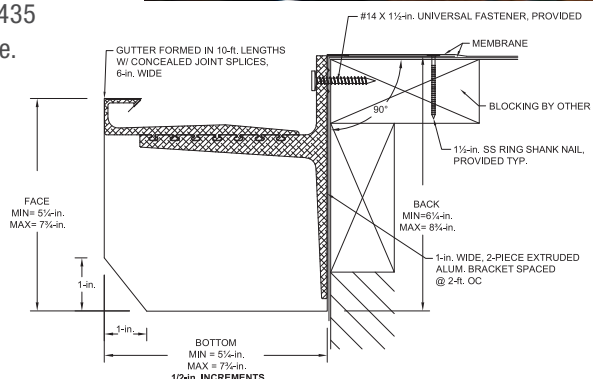
Carlisle's SecurEdge 300 Gutter system incorporates 1" wide extruded internal gutter brackets for strength and support. The system has been engineered to meet ANSI/SPRI GT-1 requirements for wind resistance and is available with 3 distinct looks to fit any building: box style, chamfer style, and offset.

**Material:** Available in .040" (1.00 mm), .050" (1.25 mm), or .063" (1.60 mm) aluminum, and 22-gauge or 24-gauge Kynar 500-coated galvanized steel. Gutter support brackets are extruded aluminum.

### Available Warranties:

- » Golden Seal Total Roofing System Warranty
- » Fully transferrable 35-year, Non-Prorated Paint Finish Warranty

**Testing:** This product has been tested in accordance with ANSI/SPRI FM-4435 ES-1 Standard for Sustained Wind Speeds per the International Building Code.



### Specifications

Face Dimensions	5 1/4" min – 7 3/4" max (133.4 mm min- 196.9 mm max)
Bottom Dimensions	5 1/4" min – 7 3/4" max (133.4 mm min- 196.9 mm max)



## CARLISLE'S SECUREDGE ACCESSORIES

### Counter Flashing

Carlisle SecurEdge counterflashing is offered in three styles: concealed mount two-piece counter flashing, drive lock two-piece thru-wall counterflashing, and surface mount one-piece counterflashing. All are available in .040 aluminum and 24 ga. Kynar coated galvanized steel.

### Water Control Accessories

Carlisle offers a variety of water control accessories including thru-wall scuppers, conductor heads and downspouts. All are offered in a variety of materials, thicknesses and colors, and all can be customized to meet specific project requirements.

### Perimeter Edge Blocking

Carlisle offers an engineered metal edge box system that replaces traditional wood blocking or nailers at the perimeter of a roof system with a formed 20 ga. galvanized steel assembly.

Downspout Scupper  
Integrated into Fascia System



Thru-Wall Scupper



One-Piece Surface Mount  
Counter Flashing



Conductor Head



Edge Box Perimeter Blocking



## MINIMUM METAL THICKNESS FOR FLATNESS

When selecting a metal roof edge system it is important to consider the height of the face and the type of metal being used. The table below is a recommendation from ANSI/SPRI ES-1 for selecting the right metal thickness. Using the proper metal type and thickness will ensure performance, reduce the risk of oil canning, and result in an aesthetically pleasing look.

Exposed Face	Galvanized Steel	Cold Rolled Copper	Formed Aluminum	Stainless Steel
Up to 4" (100 mm)	24 ga (0.028" and 0.7 mm)	16 oz (0.022" and 0.6 mm)	0.040" (1.0 mm)	26 ga (0.016" and 0.4 mm)
> 4" -8" (>100-200 mm)	24 ga (0.028" and 0.7 mm)	16 oz (0.022" and 0.6 mm)	0.050" (1.3 mm)	26 ga (0.016" and 0.4 mm)
> 8" -10" (>200-250 mm)	22 ga (0.034" and 0.9 mm)	20 oz (0.027" and 0.7 mm)	0.063" (1.6 mm)	24 ga (0.023" and 0.6 mm)
> 10" -16" (>250-400 mm)	20 ga (0.040" and 1.0 mm)	20 oz with stiffening ribs	0.080" (2.0 mm)	22 ga (0.029" and 0.7 mm)

## SECUREDGE 300/3000 SERIES COLOR CHART

### Aluminum and Steel Prefinished Sheet

		
Statuary Bronze A-01	Concord Cream A-02	Redwood A-03
		
Siam Blue A-04	Medium Bronze A-05	Sandstone A-06
		
Mission Red A-07	Black A-08	Dove Gray A-09
		
Rawhide A-10	Chocolate Brown A-11	Ascot White A-12
		
Forest Green A-13	Patina Green A-14	Rocky Gray A-15
		
Charcoal Gray A-16	Bright Red* (see note on reverse side) A-17	Regal Blue A-18
		
Turquoise A-19	Shale Gray A-20	Slate Blue A-21
		
Bone White A-23	Hartford Green A-24	Boysenberry A-25
	<div style="border: 1px solid #ccc; padding: 5px;"> <p><b>Premium Finishes*</b> (see note on reverse side)</p> <div style="display: flex; justify-content: space-between;"> <div style="text-align: center;">  Coppertone* A-28                             </div> <div style="text-align: center;">  Antique Patina* A-29                             </div> </div> <div style="display: flex; justify-content: space-between; margin-top: 10px;"> <div style="text-align: center;">  Silversmith* A-30                             </div> <div style="text-align: center;">  Champagne* A-31                             </div> <div style="text-align: center;">  Titanium* A-32                             </div> </div> </div>	
Sierra Tan A-26		
		
Hemlock Green A-27		

Colors shown are representative of the prefinished KYNAR colors but not exact matches. Actual metal color chips are available upon request and should be used for final color approval.

## Quick Reference Guide

The colors below are available in the listed materials and gauges. Contact Carlisle for minimum gauge requirements of specific products.

\*Premium colors or gauges are available with moderate cost and delivery increases. Factory fabricated Premium Color accessories are only available using Metal-Lock or Folded techniques for a perfect color match.

Color Name	#	Steel		Aluminum			
		*22GA	24GA	.032"	.040"	.050"	.063"
Statuary Bronze	A-01	X	X	X	X	X	X
Concord Cream	A-02		X	X	X	X	
Redwood	A-03		X	X	X	X	
Siam Blue	A-04		X	X	X	X	
Medium Bronze	A-05	X	X	X	X	X	X
Sandstone	A-06	X	X	X	X	X	X
Mission Red	A-07		X	X	X	X	
Black	A-08		X	X	X	X	
Dove Gray	A-09		X	X	X	X	X
Rawhide	A-10		X	X	X	X	
Chocolate Brown	A-11		X	X	X	X	
Ascot White	A-12		X	X	X	X	X
Forest Green	A-13	X	X	X	X	X	X
Patina Green	A-14		X	X	X	X	
Rocky Gray	A-15		X	X	X	X	
Charcoal Gray	A-16		X	X	X	X	
Bright Red*	A-17		X	X	X	X	
Regal Blue	A-18		X	X	X	X	
Turquoise	A-19		X	X	X	X	
Shale Gray	A-20	X	X	X	X	X	
Slate Blue	A-21		X	X	X	X	
Bone White	A-23	X	X	X	X	X	X
Hartford Green	A-24		X	X	X	X	
Boysenberry	A-25		X	X	X	X	
Sierra Tan	A-26		X	X	X	X	
Hemlock Green	A-27		X	X	X	X	
<b>*Premium Finishes (see note above)</b>							
Coppertone*	A-28		X	X	X		
Antique Patina*	A-29		X	X	X		
Silversmith*	A-30		X	X	X		
Champagne*	A-31		X	X	X		
Titanium*	A-32		X	X	X		

The KYNAR 500 PVDF or HYLAR 5000® PVDF finish carries a 30 Year Warranty against cracking, fading and chalking. KYNAR coated materials are non-staining and virtually maintenance free. Any surface residue is easily removed with mild, non-abrasive detergents. Minor scratches may be touched up with an air dry touch-up of the same color, available upon request.

*EXPERIENCE THE CARLISLE DIFFERENCE*



800-479-6832 | P.O. Box 7000 | Carlisle, PA 17013 | Fax: 717-245-7053 | [www.carlisesyntec.com](http://www.carlisesyntec.com)